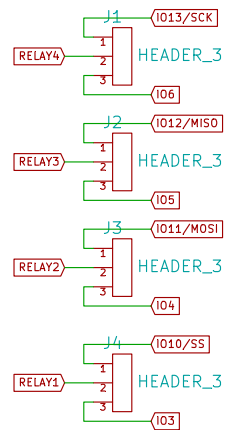
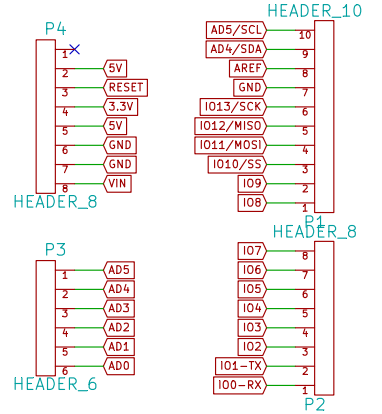


JUMPERS DE ASIGNACION DE PUERTOS



ARDUINO UNO / MEGA - HEADERS



| | | |
|---|-------------------|-----------------|
| Design by : eMging - Crea sin límites! | | |
| File: eMging_Relay_Shield.sch | | |
| Sheet: / | | |
| Title: eMging Relay Shield | | |
| Size: A4 | Date: 15 sep 2017 | Rev: 1.0 |
| KiCad E.D.A. eschema (2013-07-07 BZR 4022)-stable | | Id: 1/1 |