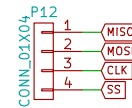
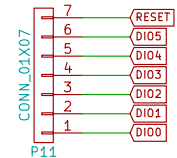
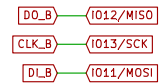
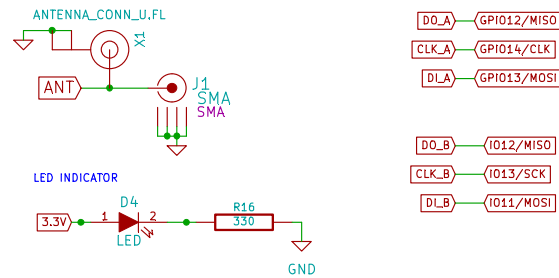
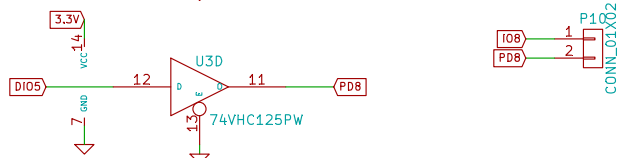
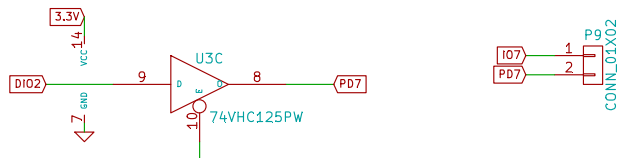
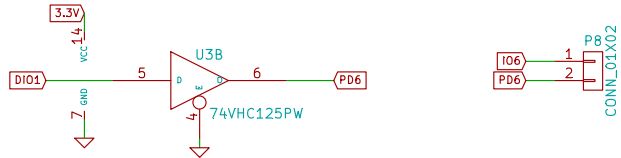
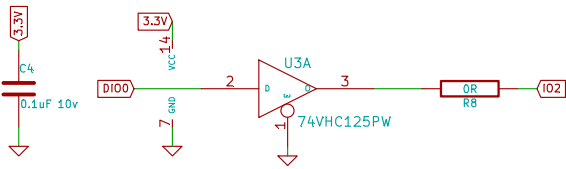
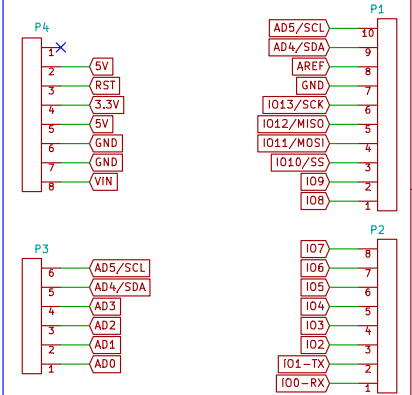
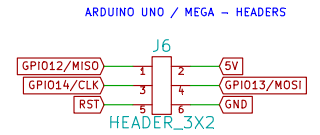
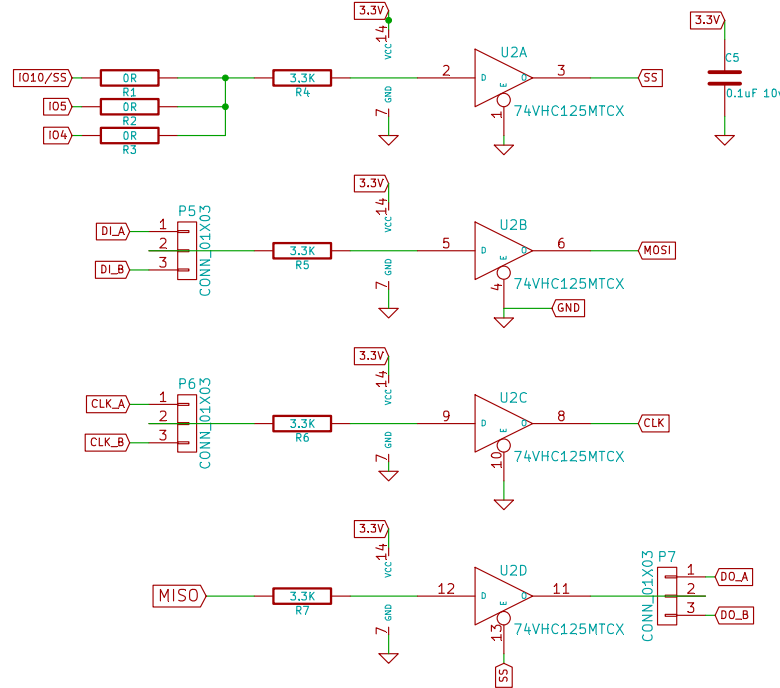
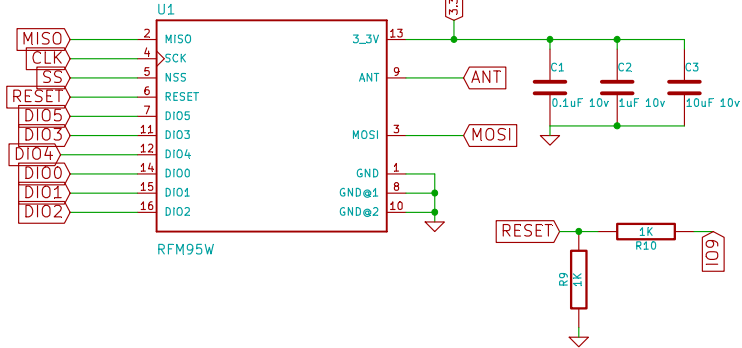


RFM95W LORA MODULE



Design by : eMGing - Crea sin límites

File: Shield_eMGing_LORA.sch

Sheet: /

Title: Shield Wifi

Size: A4 Date: 30 nov 2018

KiCad E.D.A. eschema (2013-07-07 BZR 4022)-stable

Rev: 1.0

Id: 1/1